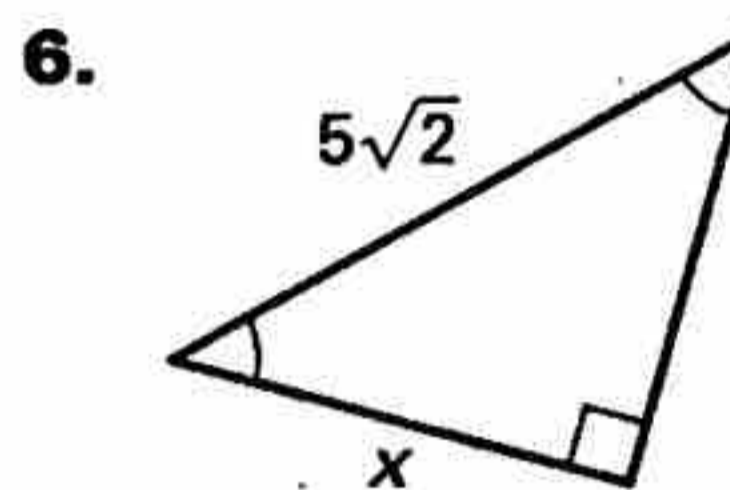
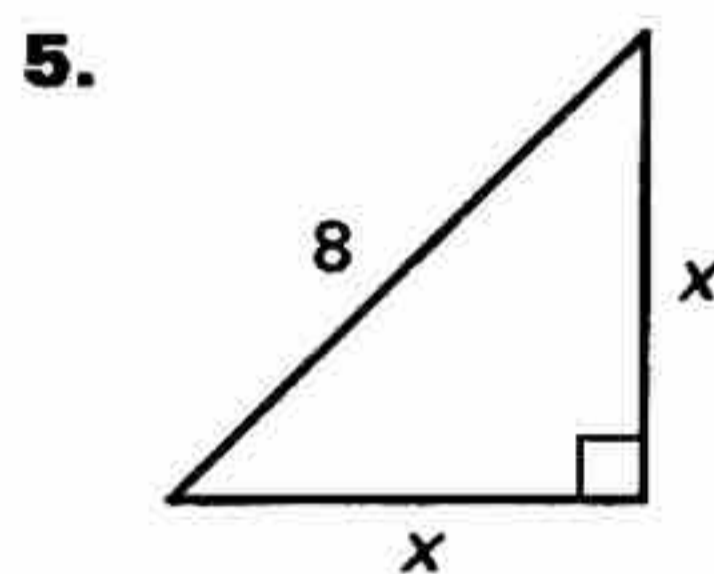
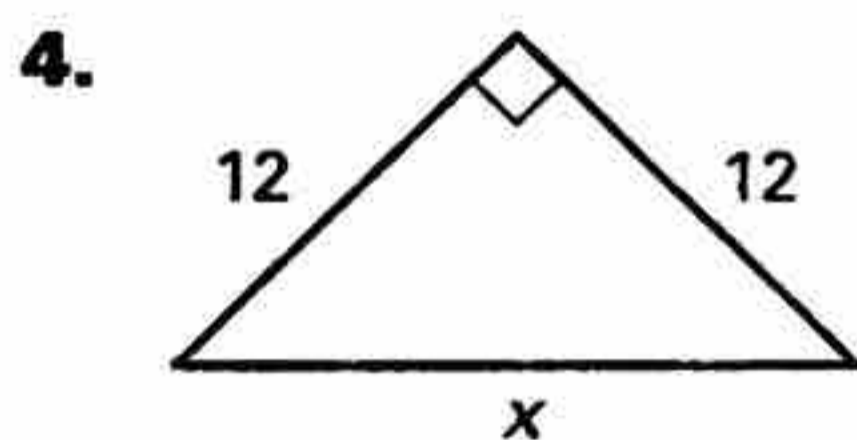
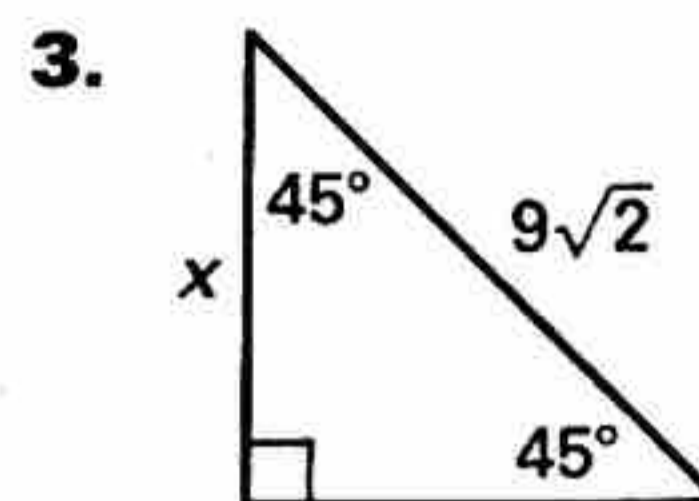
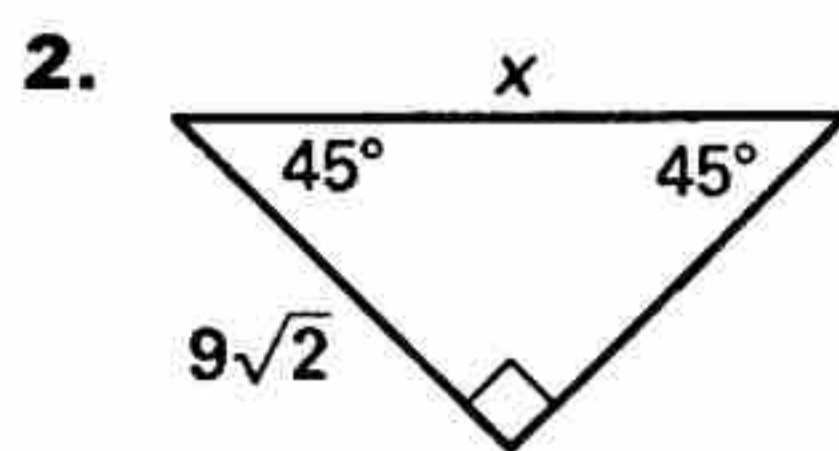
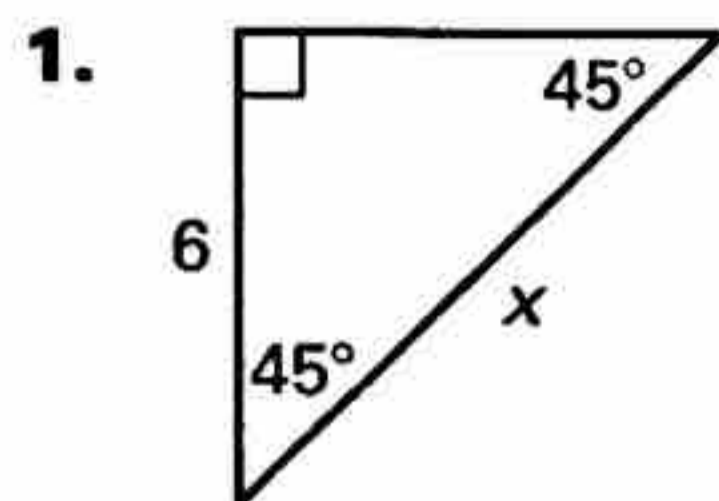
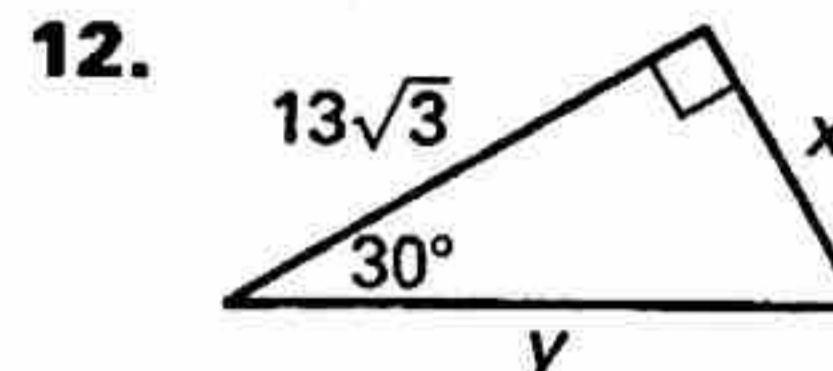
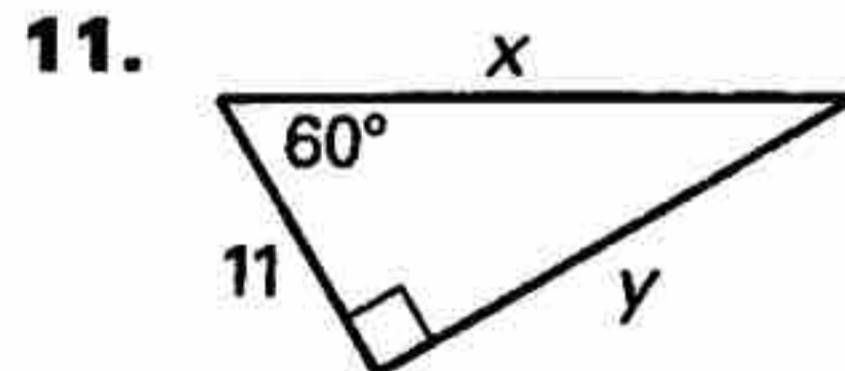
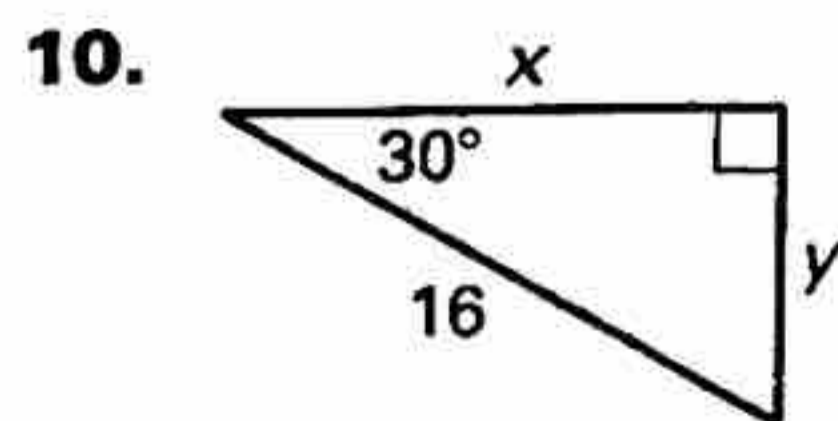
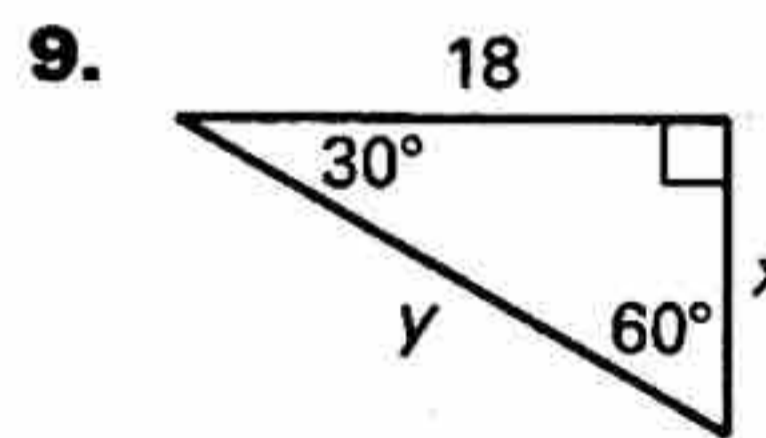
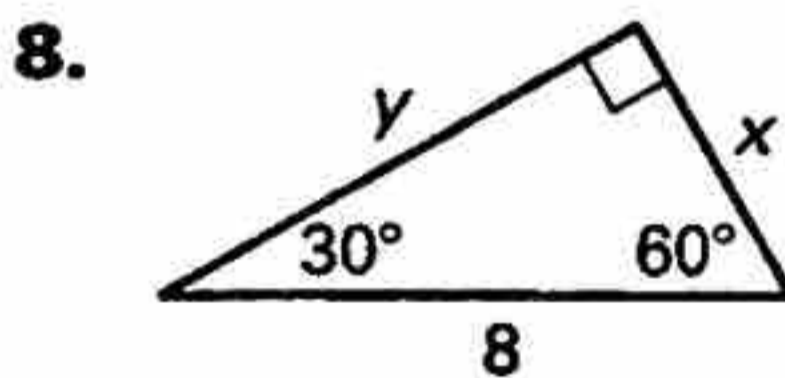
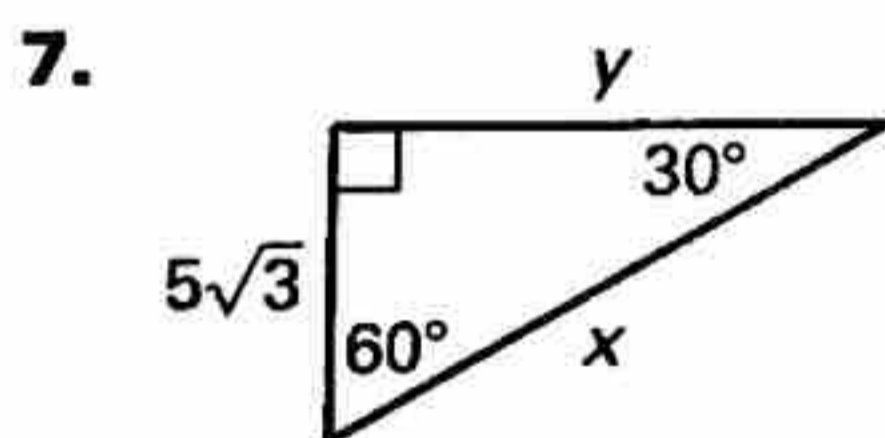


**LESSON 7.4 Practice**  
For use with pages 457–464

Find the value of  $x$ . Write your answer in simplest radical form.



Find the value of each variable. Write your answers in simplest radical form.

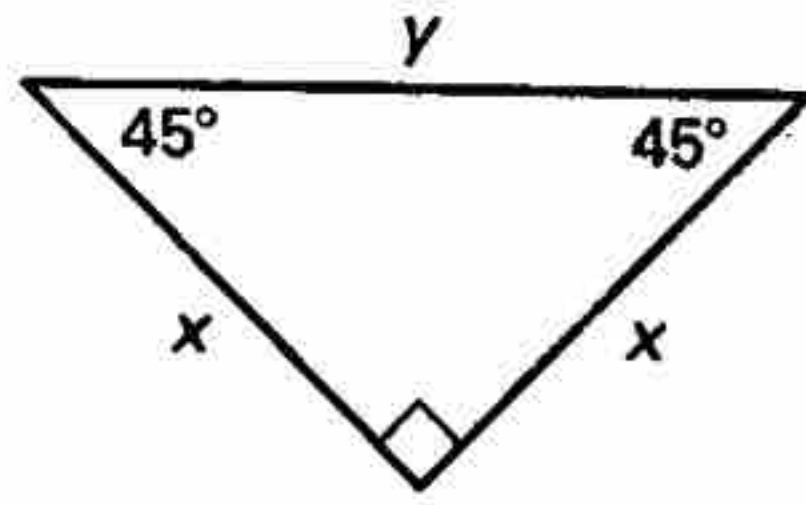


**LESSON**  
**7.4**

**Practice** *continued*  
For use with pages 457-464

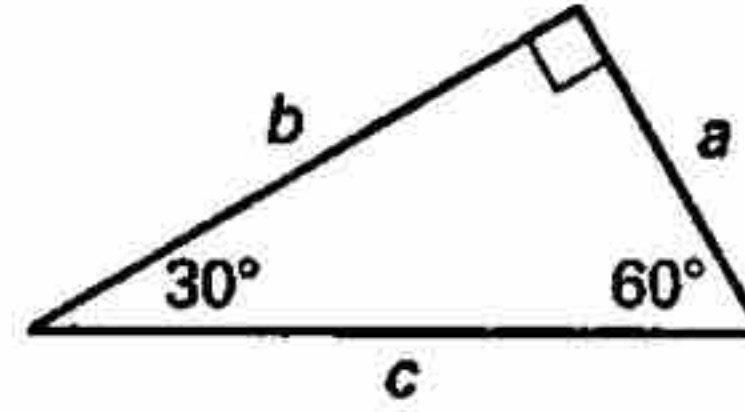
Complete the table.

13.



<b>x</b>	5		$\sqrt{2}$	9	
<b>y</b>		$4\sqrt{2}$			24

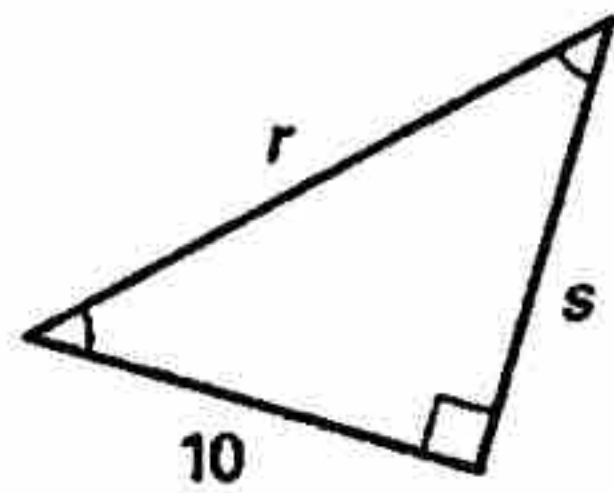
14.



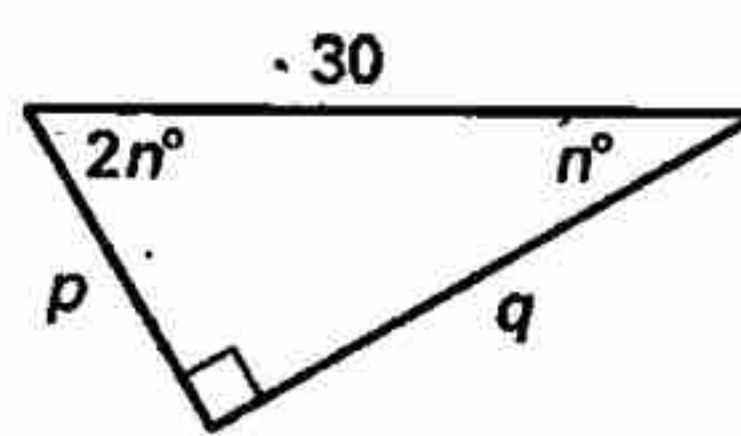
<b>a</b>	9			11	
<b>b</b>		9	$5\sqrt{3}$		
<b>c</b>					16

Find the value of each variable. Write your answers in simplest radical form.

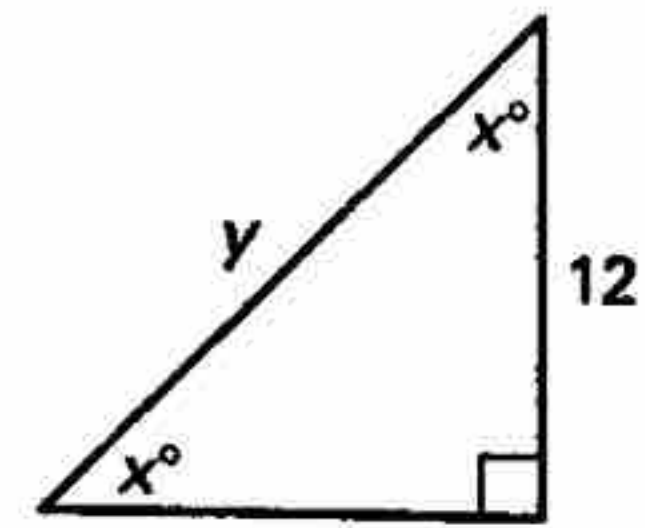
15.



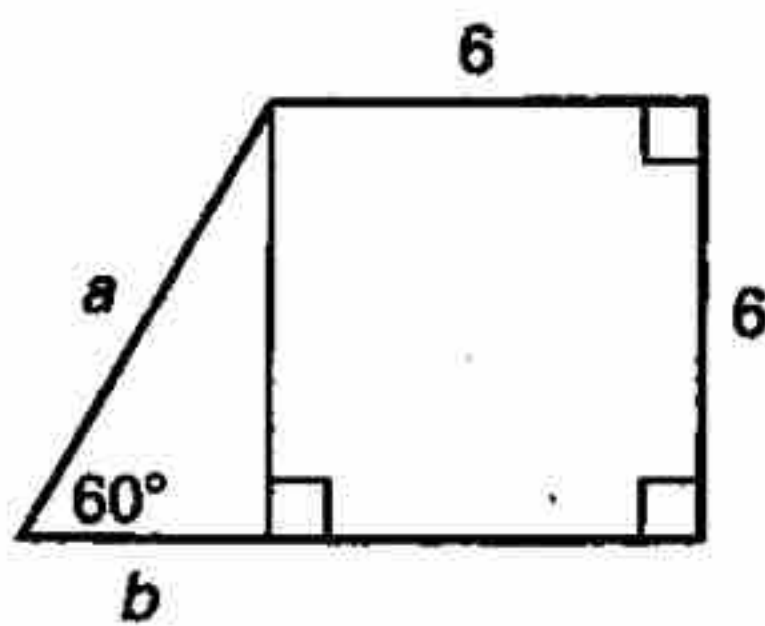
16.



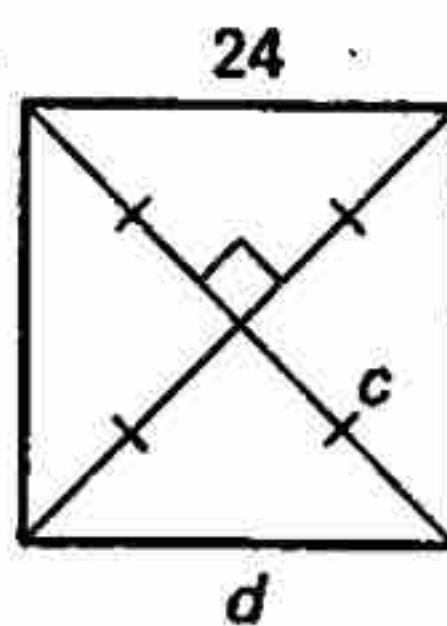
17.



18.



19.



20.

